



COMBINE
 VERTICAL COLUMNS
 TO CREATE TALLER
 INSTALLS

BT8380-EXTV

SYSTEM X™ COLUMN EXTENSION KIT

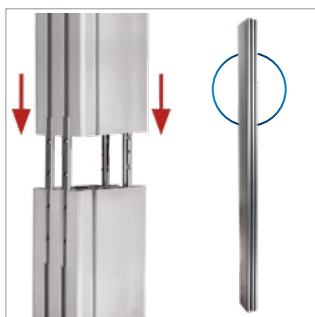
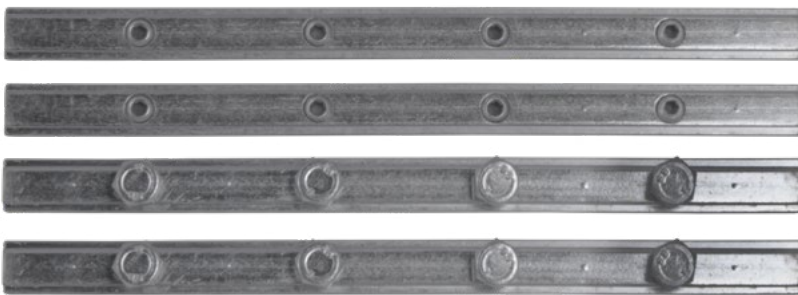
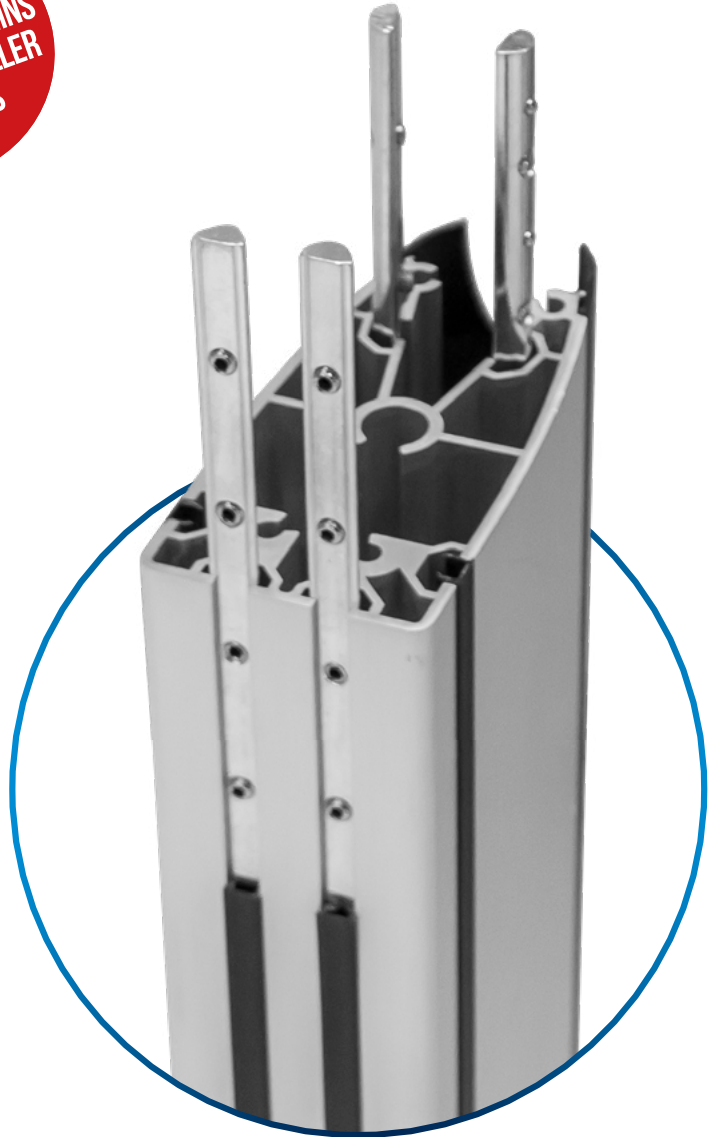
The BT8380-EXTV is an extension kit designed to extend vertical columns to a desired height, perfect for creating extra tall video walls and other digital signage installations. The kit consists of 4 steel joining bars which fit into the channels inside the column. The joining bars are then held firmly together using the internal grub screws and hex bolts. The underside of the joining bars feature spring-loaded bearings which allows the bars to move easily into their fixed position.

SPECIFICATION

Joining Bars per kit 4

FEATURES

- Combines BT8380 Vertical Columns to create taller installs
- Spring-loaded bearings allow the joining bars to move easily into position
- Columns slide easily into position to create a seamless join
- Securely locks the columns together using the internal grub screws
- Includes 2 bars with hex bolts to make rear assembly quicker



Columns slide easily into position to create a seamless join



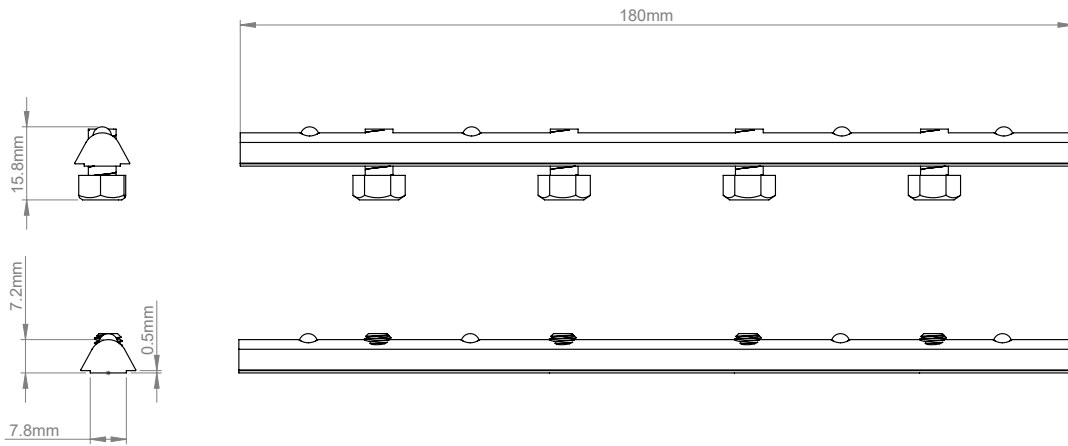
Securely lock the columns in place using the internal grub screws and locking bolts



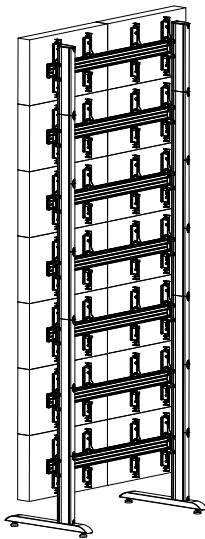
Spring-loaded bearings allow the joining bars to move easily into position



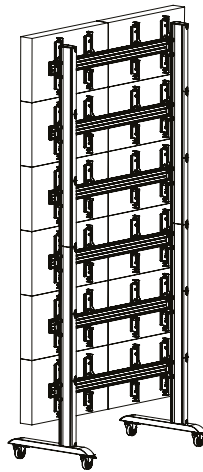
Seamless finish maintains the premium quality of the product



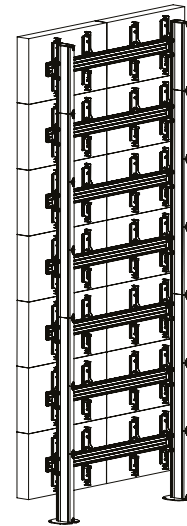
FRONT VIEW



Column height: 4.2m
Max load per screen: 25g
Max load per vertical column: 150kg
BT8370



Column height: 3.6m
Max load per screen: 25g
Max load per vertical column: 150kg
BT8371



Column height: 4.2m
Max load per screen: 25g
Max load per vertical column: 150kg
BT8372

MAX. HEIGHTS

PACKING INFORMATION

COLOUR:	ORDER REF:	EAN CODE:	MASTER CARTON QTY:	INNER CARTON QTY:	MASTER CARTON WEIGHT:	MASTER CARTON CUBE:
Silver	BT8380-EXTV/S	5019318500000	1	0	0.52kg	0.001cbm

ACCESSORIES AND RELATED PRODUCTS

BT8380-060/180



Vertical Columns are used to create a vertical support for many System X installations

BT8390-030/050/070/150/175/200



Wall Fixing Kits fit directly to **Mounting Rails** to create a huge range of wall mounting solutions.

BT8390-EXT



Rail Extension Kit combines horizontal mounting rails to create longer lengths.

BT8380-WTB



Wall Tie-Back for securing a BT8380 to a wall.

© 2019 B-Tech Professional Design & Manufacturing Ltd. All rights reserved.
The information in this specification does not constitute an offer of insurance or any other financial product. It is provided for information only and should not be relied upon for any financial decision. B-Tech Professional Design & Manufacturing Ltd. is not a financial institution and does not provide financial services. Any reproduction or transmission of any part of this specification is strictly prohibited unless prior written permission has been granted by B-Tech Professional Design & Manufacturing Ltd. (BTD).

SS-V1.1-BT8380-EXTV-270719